

SFW V2-33x3M Series

Stainless Steel Water-Cooled Camera Housing

Integrated with 3MP 33x Optical Zoom Ventionex VX1 Sony Sensor Camera Module



Main Features



Marine grade
AISI316L Stainless
Steel material



IP 66



Dual layer stainless
steel housing with
water inlet and outlet
for water cooling



Operating
Temperature 0°C to
250°C



3MP Resolution
33x optical zoom lens



Air inlet at front cover
for blowing
compressed air at
sight glass to prevent
stagnant of dusts

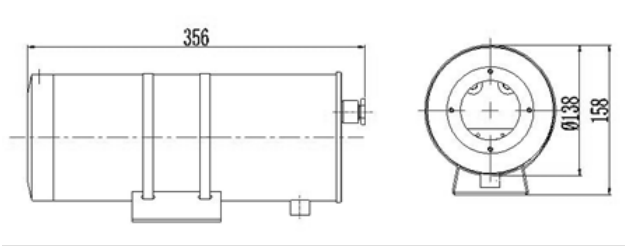
Technical Data

General	
Ingress Protection	IP66
Operating Temperature	0°C to 250°C
Mechanical	
Body Material	AISI316L Stainless Steel
Sight Glass Material	Window with hardened mineral clear tempered glass
Overall Dimension (WxHxL)	138 x 158 x 356 mm
Internal Usable Size for Camera Module	80 x 80 x 260 mm
Cable Entries	G3/4
Water Inlet / Outlet	G1/2
Air Inlet (Front Cover)	Supported
Weight	Approximate 5KG
Electrical	
Operating Voltage	AC110 to 240V
Power Consumption	15W
Accessories	
SJ-SFW	Swivel Joints
WB-SFW	Wall Bracket

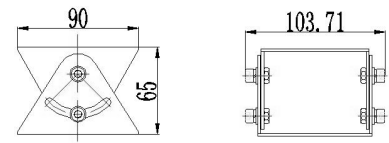
IP Camera/Lens

Camera	
Day/Night	Automatically removable IR-cut filter
Shutter Time	1~1/10K s
Noise Reduction	2DNR, 3DNR, NR by motion
Image Settings	Color, Brightness, Sharpness, Contrast, White Balance, Exposure Control, Masking, Text Overlay
Corridor Mode	Corridor Mode 90°, 180°, 270° rotation
Image	
Image Sensor	1/2.8" Progressive CMOS
Effective Pixels	HxV = 2065x1553 (3MP)
Pixel Size	2.5 μm
Lens	f =4.6 mm (wide) to 152.0 mm (tele), F1.6
FOV	Horizontal: 55° (wide), 2° (tele) Vertical: 43° (wide), 1.0° (tele)
Zoom	33x Optical Zoom, up to 10x Digital Zoom
Min. Illumination	Color: 0.04Lux B/W: 0.002Lux
Frame Rate (Maximum)	H265: HDR 3M @30fps + 720p @30fps
	H264: HDR 3M @30fps + 720p @30fps
	MJPEG: 1080p @30fps
Compression Standard	
Video Compression	H.265/H.264/MJPEG
Video Streaming	Up to 4 individually configurable streams in H.265/ H.264/ MJPEG Configurable resolution/ frame rate/ bandwidth LBR/ VBR/ CBR in H.265/ H.264
Network	
Security	User Authentication/ HTTPS/ IP Filter/ IEEE 802.1x
Supported Protocols	ARP, PPPoE, IPv4/v6, ICMP, IGMP, QoS, TCP, UDP, DHCP, UPnP, SNMP, SMTP, RTP, RTSP, HTTP, HTTPS, FTP, NTP, DDNS
ONVIF	Profile S/ G/ Q/ T conformant
System Integration	
General Events	Motion Detection/ Tampering
Intelligent Video Analytics	<i>(optional upon request)</i> Human, Vehicle & Object Detections for Tripwire / Intrusion / Loitering / Abandoned Object / Missing Object / Parking Detection / Crowd Detection
Advanced Analytics	<i>(optional upon request)</i> Fire Detection or Smoke Detection
Intelligent Platform	<i>(optional upon request)</i> Simplify Unified Intelligent Platform Integration
General	
Storage	Support for microSD/ microSDHC/ microSDXC card Support for recording to NAS

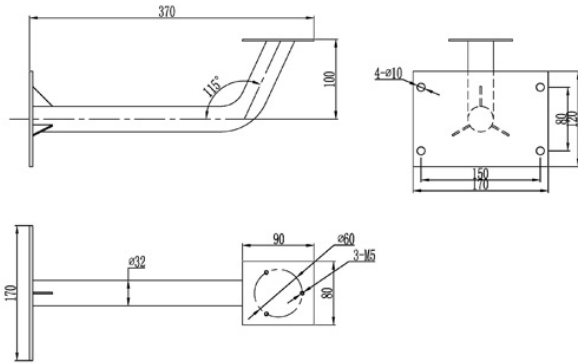
Outline Dimensions (mm)



SFW V2 Outline Dimensions



Swivel Joints Outline Dimensions



Wall Bracket Outline Dimensions

Model & Ordering Code

SFW V2 - 33x3M

Standard Accessories

SJ-SFW : Swivel Joints

Optional Accessories

WB-SFW : Wall Bracket