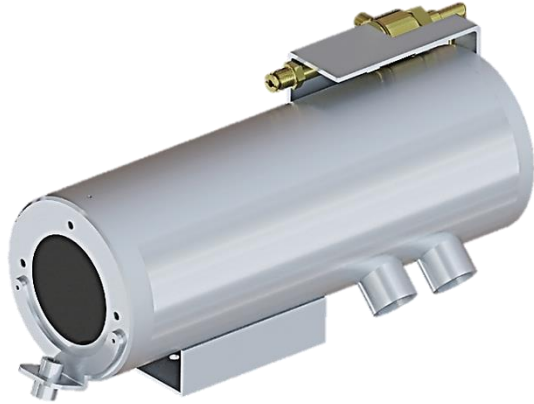


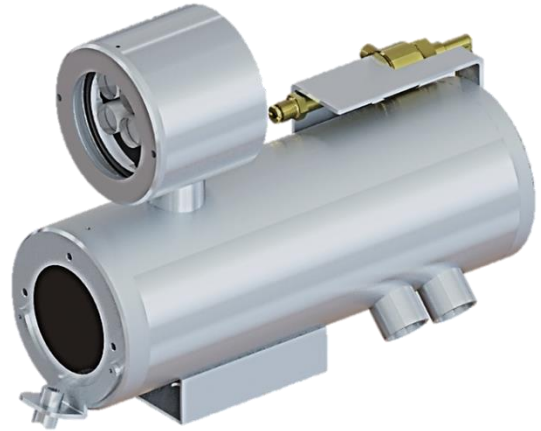
SS1CH-AC-22x4K Series

Stainless Steel Weatherproof Fixed Air-Cooled Camera Housing

Integrated with 8MP [4K] 22x Optical Zoom Ventionex VX2 Sony Sensor Camera Module



SS1CH-AC



SS1CH-AC-LED

Main Features



Marine grade
AISI316L Stainless
Steel material



Operating
Temperature -40°C to
100°C



IP 66 / 67



Vandal-proof IK10
ratings



8MP [4K] Resolution
22x optical zoom lens



Motorized 6.4 -
138.5 mm



Options for LED
illuminator available

Technical Data

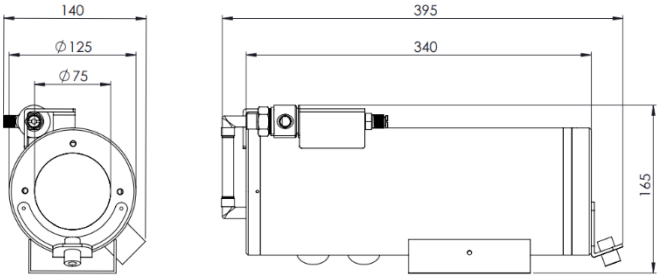
| General | |
|--|--|
| Ingress Protection | IP66 / IP67 |
| Operating Temperature | -40°C to 100°C <i>(require appropriate pressure & temperature of incoming compressed air)</i> |
| Mechanical | |
| Body Material | AISI316L Stainless Steel |
| Sight Glass Material | Borosilicate Front Window with Thickness 5 mm |
| Overall Dimension (WxHxD) | <i>Please refer to overall dimension drawings of each model.</i> |
| Internal Usable Size for Camera Module | Ø105 x 250 mm |
| Cable Entry | 2 x M25 |
| Weight | Approximate 20KG |
| Electrical | |
| Operating Voltage | AC110-240V (0.5A - 1.10A), 50/60Hz |
| Power Consumption | Max 110W (110V), Max 120W (240V) |
| Thermostatically Controlled Heater | T°C on: <10°C, T°C off: >10°C |
| Optional | |
| LED Illumination | Up to 150 meters (for SS1CH-AC-LED model) |
| Accessories | |
| Standard | Swivel Joints |
| Optional | Wall Bracket, Air Filter Regulator |

IP Camera/Lens

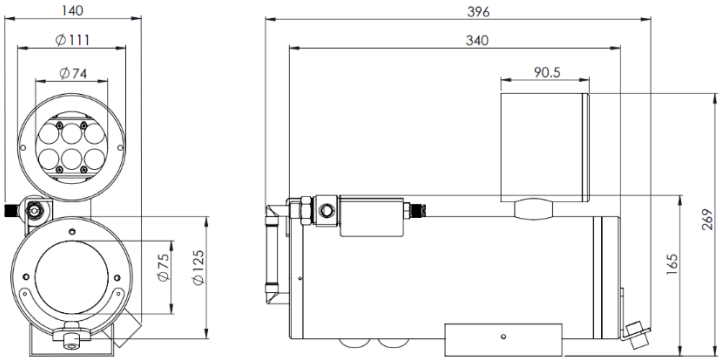
| Camera | |
|----------------------|--|
| Day/Night | Automatically removable IR-cut filter |
| Shutter Time | 1~1/10K s |
| Noise Reduction | 2DNR, 3DNR, NR by motion |
| Image Settings | Color, Brightness, Sharpness, Contrast, White Balance, Exposure Control, Masking, Text Overlay |
| Corridor Mode | Corridor Mode 90°, 180°, 270° rotation |
| Image | |
| Image Sensor | 1/1.8" Progressive CMOS |
| Effective Pixels | HxV = 3864x2180, 8MP [4K] |
| Pixel Size | 2.0 μm |
| Lens | f =6.4 mm (wide) to 138.5 mm (tele), F1.5 |
| FOV | Horizontal: 64° (wide), 3° (tele) Vertical: 37° (wide), 2° (tele) |
| Zoom | 22x Optical zoom, digital zoom ready |
| Min. Illumination | Color: 0.04Lux B/W: 0.002Lux |
| Frame Rate (Maximum) | H265: HDR 4K @30fps + d1@30fps HDR 6M @30fps + 720p @30fps |
| | H264: HDR 4K @30fps + d1@30fps HDR 6M @30fps + 720p @30fps |
| | MJPEG: 1080p @30fps |
| Compression Standard | |
| Video Compression | H.265/H.264/MJPEG |
| Video Streaming | Up to 4 individually configurable streams in H.265/ H.264/ MJPEG Configurable resolution/ frame rate/ bandwidth LBR/ VBR/ CBR in H.265/ H.264 |
| Network | |
| Security | User Authentication/ HTTPS/ IP Filter/ IEEE 802.1x |
| Supported Protocols | ARP, PPPoE, IPv4/v6, ICMP, IGMP, QoS, TCP, UDP, DHCP, UPnP, SNMP, SMTP, RTP, RTSP, HTTP, HTTPS, FTP, NTP, DDNS |
| ONVIF | Profile S/ G/ Q/ T conformant |
| System Integration | |
| Analytics | Motion Detection/ Tampering |
| General | |
| Storage | Support for microSD/ microSDHC/ microSDXC card Support for recording to NAS |

*Analog camera and other camera module options are available upon request.

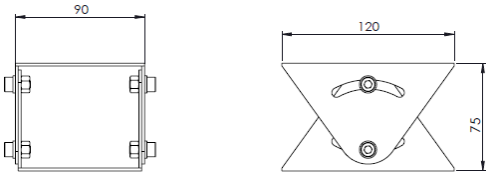
Outline Dimensions (mm)



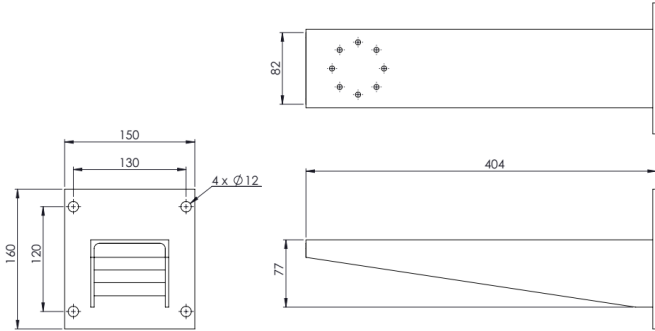
SS1CH-AC Outline Dimensions



SS1CH-AC-LED Outline Dimensions



SJ-SS1CH - Swivel Joints Outline Dimensions



WB-SS1CH - Wall Bracket Outline Dimensions

SS1CH - AC - X - 22x4K

Camera Station Options

Blank : Standard Air-Cooled Camera Housing
LED : With LED Illuminator

Standard Accessories

SJ-SS1CH : Swivel Joints

Optional Accessories

WB-SS1CH : Wall Bracket
AFR : Air Filter Regulator