

ETR4 Series

Single Channel 10/100/1000Mbps Ethernet Transceiver



Main Features

IEEE

Support IEEE 802.3,
802.3u, 802.3x,
802.3z standards



Plug and Play



Lightning
protection



Support for single
mode



Support 9 -
24VDC wide
range voltage
supply

Mounting options of
card module (for
installation with rack
chassis FRC2),
individual base plate,
or din rail



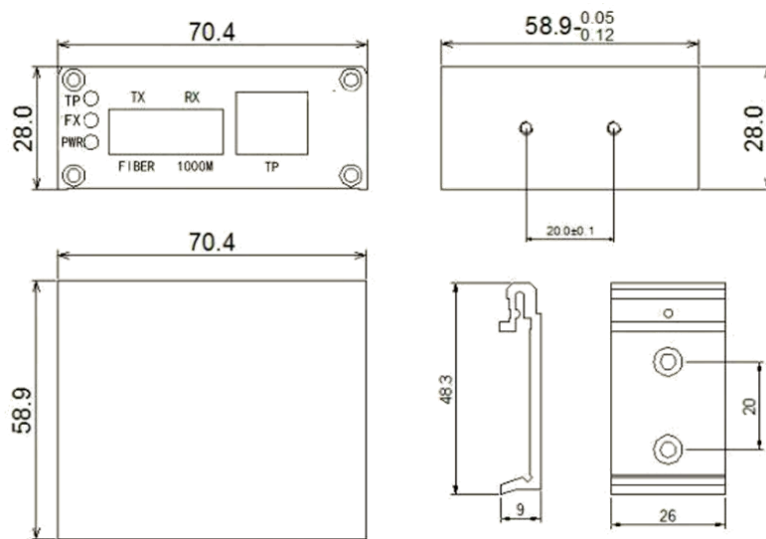
Support for
multi-mode

Jumbo Frames

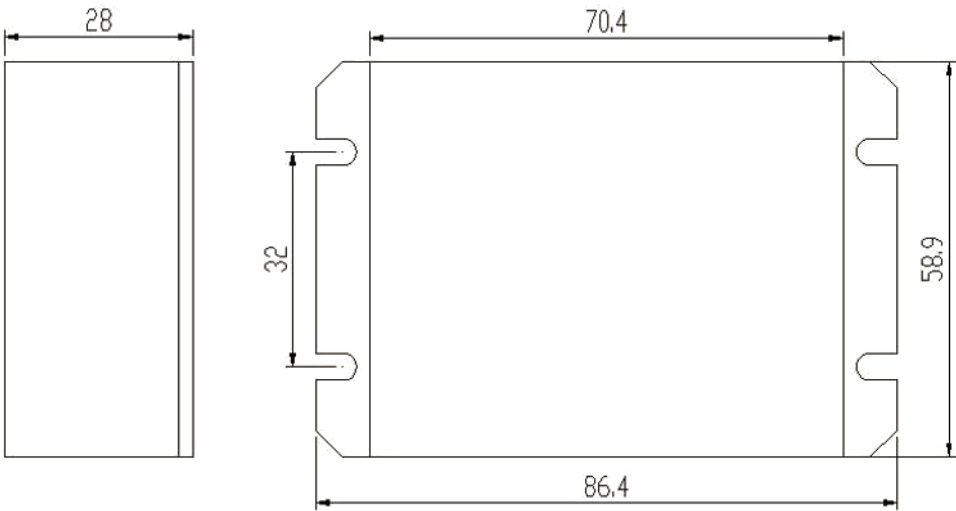
Support Jumbo Frame
Rate

Ethernet		
Standard	IEEE802.3 and IEEE802.3u., IEEE802.3ab, IEEE802.3z, IEEE 802.3x standards	
MAC Table	8K	
Data Rate	Auto switch full and half duplex Full Duplex: 20Mbps, 200Mbps or 2000Mbps Half Duplex: 10Mbps, 100Mbps or 1000Mbps	
Forwarding Rate	14,881pps(10Base-T) 148,810pps(100Base-T) 1,488,100pps(1000Base-T)	
Jumbo Frame Rate	Support up to 10 Kbytes	
Optical		
Wavelength	Field(T1): 1550nm/1310nm	Backend(T2): 1310nm/1550nm
Distance	Single Mode	20/40/60/80km options
	Multimode	<5km
Physical		
Ethernet Connector	1 x RJ45 auto sensing 10/100/1000 BASE-TX	
Optical Connector	1 x SC/FC/ST connector (options), 100BASE-FX/, 1000Base-FX port	
Dimension (WxHxL)	Din Rail: 70.4 x 28.0 x 58.9mm Base Plate: 86.4 x 28.0 x 58.9mm	
Power	9-24VDC / 1.7W	
Operating Temp.	-40°C to +85°C	
Storage Temp.	-40°C to +85°C	
Relative Humidity	5% to 95% non-condensing	
Mounting	Din rail / Base plate	
Certification	FCC & CE	

Outline Dimensions



Din rail mount type dimensions (mm)



Base plate mount type dimensions (mm)

Model & Ordering Code

ETR4 - X - X - X - X

Single Mode Options

- 20 : 20km
- 40 : 40km
- 60 : 60km
- 80 : 80km

Single Mode or Multi-mode Options

- MM : Multi-mode
- SM : Single mode

Mounting Options

- DR : Din rail
- BP : Base plate

Connector Options

- ST : ST connector
- SC : SC connector
- FC : FC connector