

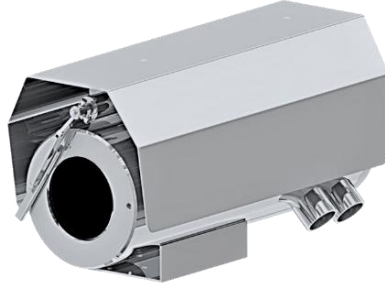
## SX1CH-5x8M Series

### Explosion Proof Fixed Camera Housing

Integrated with 8MP [4K] 5x Optical Zoom Ventionex VX2-B8Y Analytics Camera Module with optional built-in edge analytics



SX1CH



SX1CH-W



SX1CH-LEDW

### Main Features



Marine grade  
AISI316L Stainless  
Steel material



Ex II 2 G Ex db op pr  
IIC T6 Gb / Ex II 2 D Ex  
tb op pr IIIC T80°C Db,  
IP 66 / 68



8MP [4K] Resolution  
5x Optical Zoom



Option for LED  
illuminator  
available



Option for IEEE  
802.3bt PoE++  
(90Watt)



Intelligent Video  
Analytics for Human,  
Vehicle & Object  
Detection



(Optional) Advanced  
Analytics Fire or  
Smoke Detection



(Optional) Simplify  
Unified Intelligent  
Platform

## Technical Data

General	
Certification	Ex II 2 G Ex db op pr IIC T6 Gb / Ex II 2 D Ex tb op pr IIIC T80°C Db
Protection Level	IP 66 / 68, TVS 6000V Lightning Protection, Surge Protection and Voltage Transient Protection
Operating Temperature	-40°C to 60°C
Relative Humidity	≤95%
Mechanical	
Body Material	AISI316L Stainless Steel
Sight Glass Material	Window with hardened mineral clear tempered glass
	Window with Germanium glass (for SX1CH-G and SX1CH-GL models)
Overall Dimension (WxHxD)	<i>Please refer to overall dimension drawings of each model.</i>
Weight	Approximate 25KG
Internal Usable Size for Camera Module	Ø80 x 155 mm
Cable Entry	2 x M25
Electrical	
Operating Voltage	AC110-240V (0.5A - 1.10A), 50/60Hz Optional: IEEE 802.3at PoE+
Power Consumption	Max 110W (110V), Max 120W (240V)
Thermostatically Controlled Heater	T°C on: <10°C, T°C off: >10°C
Optional	
Wiper Mechanism	Available for SX1CH-W and SX1CH-LEDW model
LED Illumination	Up to 200 meters (Available for SX1CH-LED and SX1CH-LEDW model)
Built in Fiber Optic Module	Single Mode or Multi Mode or Dual Mode (-SM or -MM or -DM model, please refer to below ordering info)
Accessories	
Standard	Sunshield, Swivel Joints
Optional	Wall Bracket

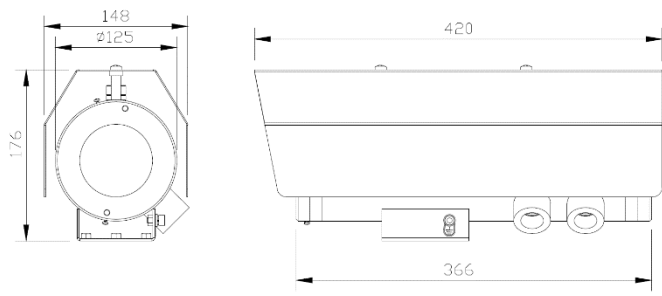
## IP Camera/Lens

Camera	
Image Sensor	1/2.8" CMOS
Signal System	PAL/NTSC
Min. Illumination	Color: 0.003Lux@ (F1.6, ACG ON)
	B/W: 0 Lux with IR
Shutter Time	1s to 1/100000 s
Lens	Motorized 2.7 - 13.5mm, Angle of View: 102.7° ~ 29°
Lens Mount	φ14
Day& Night	Dual IR Cut Filter with Auto Switch
Wide Dynamic Range	120 dB
Image	
Max. Image Resolution	HxV: 3840×2160, 8MP [4K]
Mainstream	PAL: 20fps (3840×2160, 3072×2048), 25fps (2560×1440, 2304×1296, 1920×1080, 1280×720)
	NTSC: 20fps (3840×2160, 3072×2048), 30fps (2560×1440, 2304×1296, 1920×1080, 1280×720)
Substream	PAL: 25fps (704×576, 704×288, 640×480, 352×288)
	NTSC: 30fps (704×480, 704×240, 640×480, 352×240)
3rd Stream	PAL: 25fps (1280×720, 704×576, 704×288, 640×360, 352×288)
	NTSC: 30fps (1280×720, 704×480, 704×240, 640×360, 352×240)
Image Settings	Saturation, brightness, contrast, sharpness, adjustable by web browser
Image Enhancement	BLC/3D DNR/HLC/Corridor Format
Smart Defog	Yes
ROI	Support 8 fixed region of coding
Privacy Mask	Yes, 8 regions
Picture Overlay	Yes
OSD	16×16, 24×24, 32×32, 48×48, 64×64, 96×96, adaptable size, Letters Such as Week, Date, Time, Total 5 Regions
Compression Standard	
Video Compression	S+265/H.265/H.264/M-JPEG
Video Bit Rate	32Kbps~16Mbps
Network	
Protocols	TCP/IP, ICMP, HTTP, HTTPS, DHCP, DNS, DDNS, MULTICAST, UPnP, FTP, IPV4, NTP, RTSP, SMTP, IGMP, QoS, PPPoE
Remote Connection	≤7
System Compatibility	ONVIF (Profile S/T), P2P
Interface	
On-board Storage	MicroSD Card Slot, up to 512GB
Advanced	
Analytics	Tripwire, Double Tripwire, Perimeter, Running, Heatmap, Loitering, Object Abandoned, Missing Object, Parking, Crowd  *Support detection and classification of specific target types (people or vehicle) to remove false alarm caused by animals, leaves etc.
Advanced Analytics	(optional upon request) Fire Detection or Smoke Detection
Intelligent Platform	(optional upon request) Simplify Unified Intelligent Platform Integration

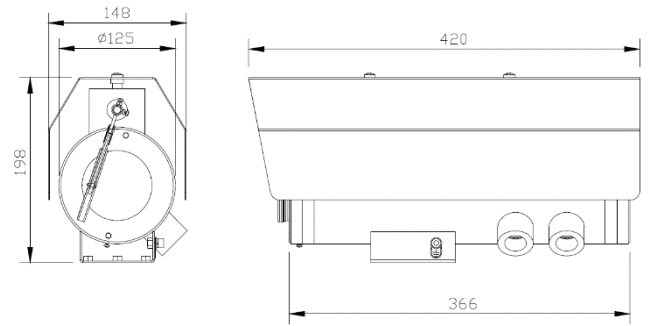
\*Analog camera and other camera module options are available upon request.

\*Thermal camera options are available for G model. Please contact us for the details

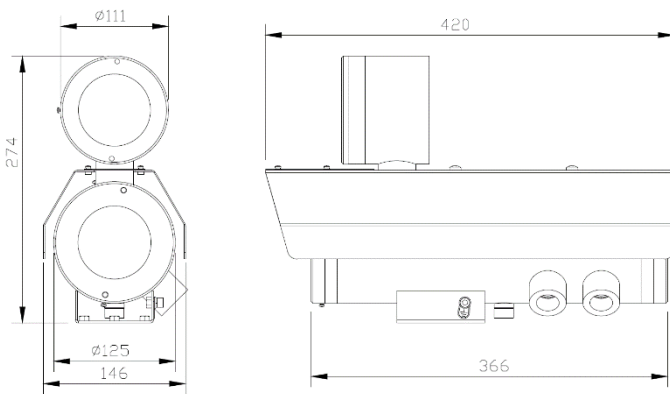
## Outline Dimensions (mm)



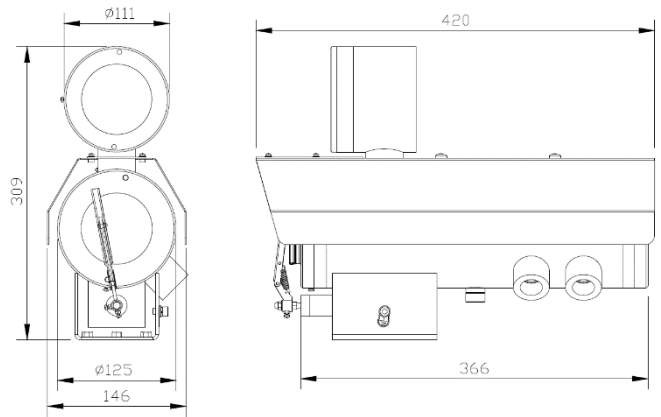
SX1CH Outline Dimensions



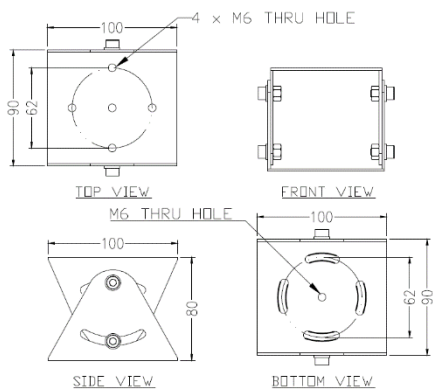
SX1CH-W Outline Dimensions



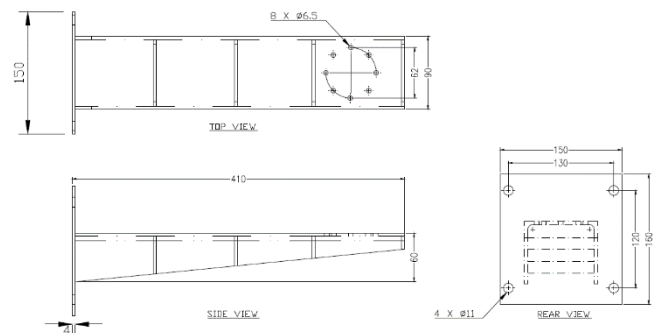
SX1CH-LED Outline Dimensions



SX1CH-LEDW Outline Dimensions



SJ-SX1CH - Swivel Joints Outline Dimensions



WB-SX1CH - Wall Bracket Outline Dimensions

## Model & Ordering Code

---

SX1CH - X - 5x8M - X - X

POE Options

Blank : No additional option  
POE : POE+

Built-in Fiber Optic Module Options

Blank : No additional option  
SM : Single Mode  
MM : Multi Mode  
DM : Dual Mode

Additional Options

Blank : No additional option  
W : Fitted with wiper mechanism  
LED : With LED Illuminator  
LEDW : With LED Illuminator and Wiper

## Standard Accessories

SCH-SX1CH : Sunshield for Camera Housing (for SX1 series without LED illuminator)  
SCH-SX1CH-LED : Sunshield for Camera Housing with LED illuminator (for SX1CH-LED and SX1CH-LEDW)  
SJ-SX1CH : Swivel Joints

## Optional Accessories

WB-SX1CH : Wall Bracket