

SS1D V1 Series

Stainless Steel Weatherproof PTZ Dome Camera Station

Integrated with 2MP 40x Optical Zoom IP Network Speed Dome Camera



Main Features



316L Stainless Steel material



IP 66 ratings



Vandal-proof IK10 ratings



Operating Temperature -30°C to 65°C



Lightning Protection



Heater included

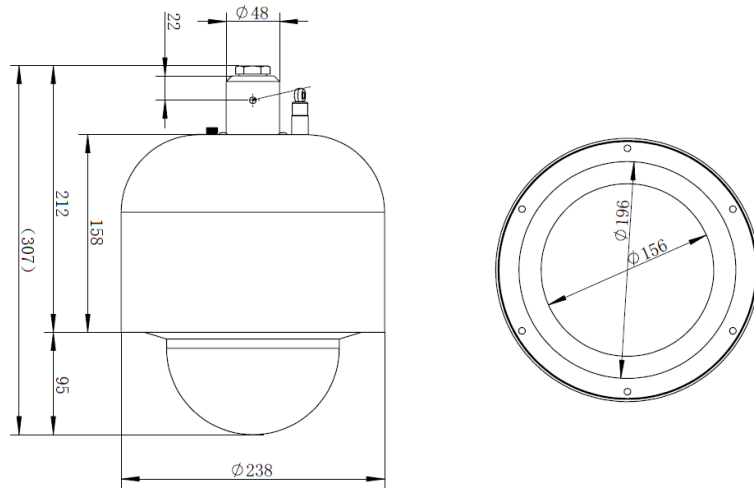
Technical Data

General	
Protection level	IP66, IK10
Operating Temperature	-30°C to 65°C
Relative Humidity	≤90%
Mechanical	
Body Material	316L Stainless steel
Cable Entry	1 x G3/4
Weight	Approximate 12KG
Overall Dimension (WxHxD)	Please refer to overall dimension drawing
Electrical	
Operating Voltage	AC24V / PoE+
Power Consumption	Max 29.04 watt / Max 25.5 watt
Accessories	
Standard	Sunshield
Bracket	Wall Bracket and Ceiling Mount Bracket

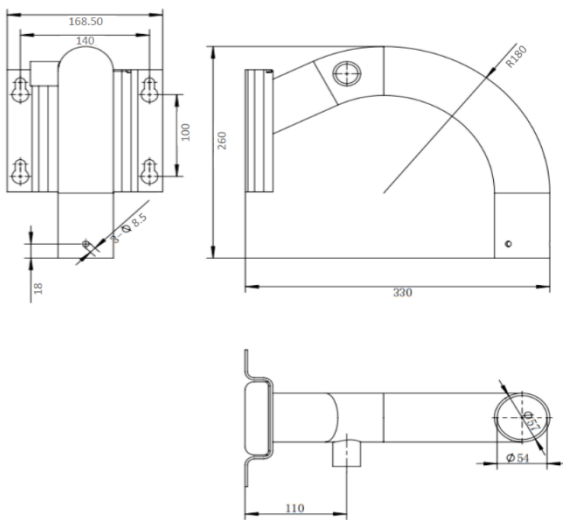
IP Dome Camera

	2MP, 40x, IP Network Speed Dome
Image Sensor	1/2.8" Progressive CMOS
Effective Pixels	HxV = 1945x1097 (2M)
Frame Rate (Maximum)	H.265 HDR 2M @30fps + 2M @30fps
	H.265 HDR 2M @30fps + 2M @30fps
	MJPEG 2M @30fps
Min. Illumination	Color: 0.1 Lux; B/W: 0.002 Lux
Shutter Time	1 to 1/10K sec.
Image Settings	Exposure, White Balance, Brightness, Sharpness, Contrast, Saturation, Hue, Day/Night Threshold, Noise Reduction, Backlight Compensation, Text Overlay, Privacy Mask
Rotation	90°, 180°, 270° rotation
Day & Night	Removable IR-cut filter
Optical Zoom	40x
Digital Zoom	10x
Pan/Tilt Range	Pan: 0~360° endless; Tilt: -10~100°
Preset	256
PTZ Mode	8 Sequence, 8 cruise, 4 auto pan
HDR	Gen3 Engine
EIS	Yes
Video Compression	H.265/H.264/MJPEG
Focal Length	4.3-170 mm
Analytics	Motion Detection/Audio detection
DNN Analytics	Face Detection/Tracking/Recognition
	LPR Detection/Recognition
	People Detection and Tracking
	Human/Vehicle Classification
	Object Classification/Recognition
Event Triggers	External Input, Analytics, Network Failure Detection, Periodical Event, Manual Trigger
Event Actions	External output Activation Video and audio recording to edge storage File Upload: FTP, network share and email Notification: HTTP, FTP, email

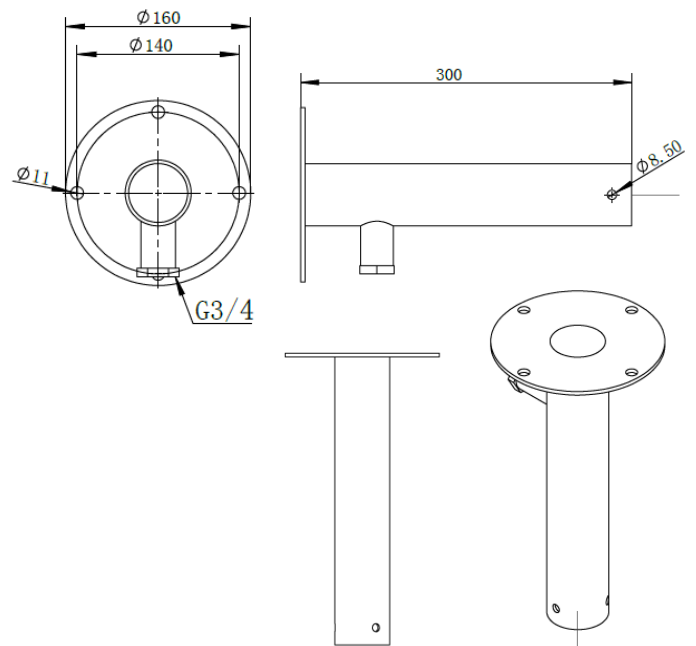
Outline Dimensions (mm)



SS1D V1 Outline Dimensions



Wall Bracket Outline Dimensions



Ceiling Mount Bracket Outline Dimensions

SS1D V1 - 40x2M