

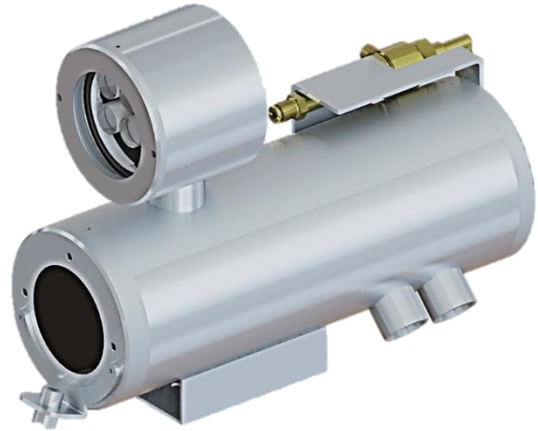
## SS1CH-AC-AVI Series

### Stainless Steel Weatherproof Fixed Air-Cooled Camera Housing

Integrated with Avigilon Camera Module with optional built-in edge analytics



SS1CH-AC



SS1CH-AC-LED

### Main Features



Marine grade  
AISI316L Stainless  
Steel material



IP 66 / 68



Multiple lens options  
available



Options for LED  
illuminator available



Option for IEEE  
802.3at PoE+



Intelligent Video  
Analytics for Human,  
Vehicle & Object  
Detection



(Optional) Advanced  
Analytics Fire or  
Smoke Detection



(Optional) Simplify  
Unified Intelligent  
Platform

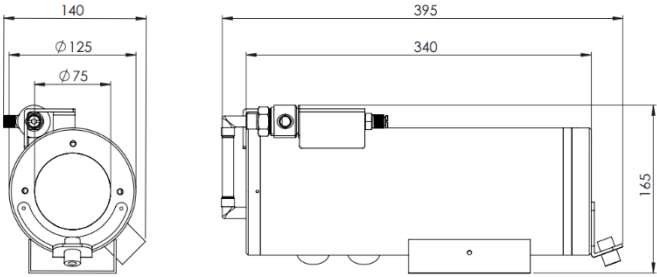
## Technical Data

General	
Ingress Protection	IP66 / IP67
Operating Temperature	-40°C to 100°C <i>(require appropriate pressure &amp; temperature of incoming compressed air)</i>
Mechanical	
Body Material	AISI316L Stainless Steel
Sight Glass Material	Borosilicate Front Window with Thickness 5 mm
Overall Dimension (WxHxD)	<i>Please refer to overall dimension drawings of each model.</i>
Weight	Approximate 20KG
Internal Usable Size for Camera Module	Ø105 x 250 mm
Cable Entry	2 x M25
Electrical	
Operating Voltage	AC110-240V (0.5A - 1.10A), 50/60Hz
Power Consumption	Max 110W (110V), Max 120W (240V)
Thermostatically Controlled Heater	T°C on: <10°C, T°C off: >10°C
Optional	
LED Illumination	Up to 150 meters (for SS1CH-AC-LED model)
Accessories	
Standard	Swivel Joints
Optional	Wall Bracket, Air Filter Regulator

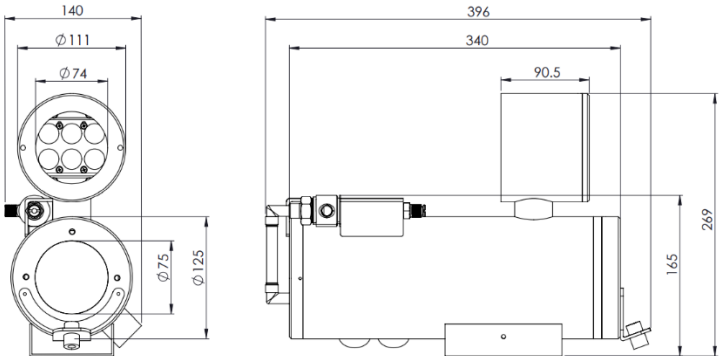
	Self-learning Video Analytics Range					
	2MP, 18x Zoom	2MP	4MP (9)	4MP (22)	6MP	8MP [4K]
Sensor	1/2.8"				1/1.8"	
Focal Length (mm)	4.7 - 84.6	3.3 - 9	3.3 - 9	9 - 22	4.9 - 8	4.9 - 8
Focus	F1.6	F1.3	F1.3	F1.6	F1.8	
Effective Pixels (HxV)	(16:9) 1920 x 1080		(16:9) 2560 x 1440 (4:3) 2304 x 1728		(16:9) 3200 x 1800 (3:2) 3027 x 2048	(16:9) 3840 x 2160
Horizontal Angle of View	(16:9) 4.1° - 60°	(16:9) 34° - 99°	(16:9) (4:3) 34° - 92°	(16:9) 14° - 31° (4:3) 11° - 24°	(16:9) 52° - 92° (3:2) 41° - 73°	(16:9) 52° - 92°
Max Image Rate	(50 Hz/60 Hz): 25 fps/30 fps		WDR off (50 Hz/60 Hz): 25 fps/30 fps WDR on (50 Hz/60 Hz): 20 fps/20 fps		(50 Hz/60 Hz): 25 fps/30 fps	
Day/Night Control	Automatic, Manual					
Illumination Requirement	Color: 0.039Lux B/W: 0.02Lux	Color: 0.027Lux B/W: 0.014Lux	Color: 0.03Lux B/W: 0.015Lux	Color: 0.058Lux B/W: 0.029Lux	Color: 0.055Lux B/W: 0.028Lux	
Image Compression Method	H.264 HDSM SmartCodec, H.265 HDSM SmartCodec, Motion JPEG					
Protocols	IPv6, IPv4, HTTP, HTTPS, SOAP, DNS, NTP, RTSP, RTCP, RTP, TCP, UDP, IGMP, ICMP, DHCP, Zeroconf, ARP					
Analytics Events	Objects in Area, Loitering, Crossing Beam, Object Appears or Enters Area, Object Not Present in Area, Objects Enter Area, Objects Leave Area, Object Stops in Area, Direction Violated, Tamper Detection					
Advanced Analytics	<i>(optional upon request)</i> Fire Detection or Smoke Detection					
Intelligent Platform	<i>(optional upon request)</i> Simpnify Unified Intelligent Platform Integration					

\*Analog camera and other camera module options are available upon request.

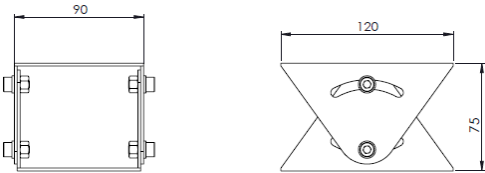
## Outline Dimensions (mm)



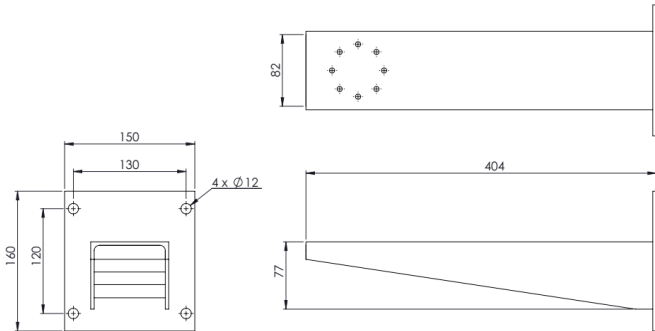
SS1CH-AC Outline Dimensions



SS1CH-AC-LED Outline Dimensions



SJ-SS1CH - Swivel Joints Outline Dimensions



WB-SS1CH - Wall Bracket Outline Dimensions

## Model & Ordering Code

---

SS1CH - AC - X - AVI - X

Camera Module Options

- 18x2M : 2MP, 18x Zoom, IP with Self-learning Video Analytics
- 2M : 2MP, IP with Self-learning Video Analytics
- 4M (9) : 4MP (3.3-9mm), IP with Self-learning Video Analytics
- 4M (22) : 4MP (9-22mm), IP with Self-learning Video Analytics
- 6M : 6MP, IP with Self-learning Video Analytics
- 8M : 8MP, IP with Self-learning Video Analytics

Camera Station Options

- Blank : Standard Air-Cooled Camera Housing
- LED : With LED Illuminator

## Standard Accessories

SJ-SS1CH : Swivel Joints

## Optional Accessories

WB-SS1CH : Wall Bracket  
AFR : Air Filter Regulator