

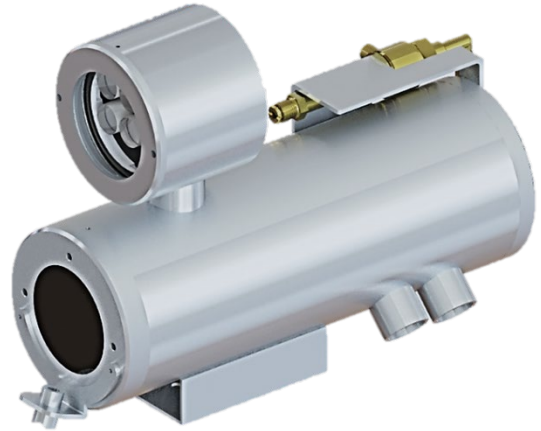
SS1CH-AC-5x5M Series

Stainless Steel Weatherproof Fixed Air-Cooled Camera Housing

Integrated with Ventionex 5MP 5x Optical Zoom VX2-B5Y01 Analytics Camera Module with optional built-in edge analytics



SS1CH-AC



SS1CH-AC-LED

Main Features



Marine grade
AISI316L Stainless
Steel material



IP 66 / 68



5MP Resolution
5x optical zoom lens



Options for LED
illuminator available



Option for IEEE
802.3at PoE+



Intelligent Video
Analytics for Human,
Vehicle & Object
Detection



(Optional) Advanced
Analytics Fire or
Smoke Detection



(Optional) Simplify
Unified Intelligent
Platform

Technical Data

General	
Ingress Protection	IP66 / IP67
Operating Temperature	-40°C to 100°C <i>(require appropriate pressure & temperature of incoming compressed air)</i>
Mechanical	
Body Material	AISI316L Stainless Steel
Sight Glass Material	Borosilicate Front Window with Thickness 5 mm
Overall Dimension (WxHxD)	<i>Please refer to overall dimension drawings of each model.</i>
Weight	Approximate 20KG
Internal Usable Size for Camera Module	Ø105 x 250 mm
Cable Entry	2 x M25
Electrical	
Operating Voltage	AC110-240V (0.5A - 1.10A), 50/60Hz
Power Consumption	Max 110W (110V), Max 120W (240V)
Thermostatically Controlled Heater	T°C on: <10°C, T°C off: >10°C
Optional	
LED Illumination	Up to 150 meters (for SS1CH-AC-LED model)
Accessories	
Standard	Swivel Joints
Optional	Wall Bracket, Air Filter Regulator

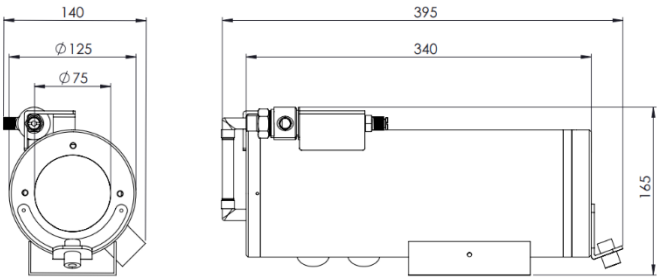
IP Camera/Lens

Camera	
Image Sensor	1/2.8" CMOS
Signal System	PAL/NTSC
Min. Illumination	Color: 0.001Lux@ (F1.6, AGC ON)
	B/W: 0 Lux with IR
Shutter Time	1s to 1/100000 s
Lens	Motorized 2.7 - 13.5mm, Horizontal FOV: 94.2° ~ 29.3°
Lens Mount	φ14
Day& Night	Dual IR Cut Filter with Auto Switch
Wide Dynamic Range	120 dB
Image	
Max. Image Resolution	HxV: 2592x1944 (5MP)
Mainstream	PAL: 25fps (2592×1944, 2592×1520, 2560×1440, 2304×1296), 50fps (1920×1080, 1280×720)
	NTSC: 30fps (2592×1944, 2592×1520, 2560×1440, 2304×1296), 60fps (1920×1080, 1280×720)
Substream	PAL: 25fps (704×576, 704×288, 640×360, 352×288)
	NTSC: 30fps (704×480, 704×240, 640×360, 352×240)
3rd Stream	PAL: 25fps (1920×1080, 1280×720, 704×576, 704×288, 640×360, 352×288)
	NTSC: 30fps (1920×1080, 1280×720, 704×480, 704×240, 640×360, 352×240)
Image Settings	Saturation, brightness, contrast, sharpness, adjustable by web browser
Image Enhancement	BLC/3D DNR/HLC/Corridor Format
Smart Defog	Yes
ROI	Support 8 fixed region of coding
Privacy Mask	Yes, 4 regions
Picture Overlay	Yes
OSD	16×16, 32×32, 48×48, 64×64, adaptable size, Letters Such as Week, Date, Time, Total 8 Regions
Compression Standard	
Video Compression	S+265/H.265/H.264/MJPEG
Video Bit Rate	32Kbps~16Mbps
Network	
Protocols	TCP/IP, ICMP, HTTP, HTTPS, DHCP, DNS, DDNS, RTP, RTSP, RTCP, PPPoE, MULTICAST, UPnP, FTP, IPV4, NTP, SMTP, IGMP, 802.1x, QoS, IPV6, ARP, UDP, SNMP, SSL, Telnet, SNTIP, RTMP, SFTP, NFS
Remote Connection	≤7
System Compatibility	ONVIF (Profile S/T/G), P2P
Interface	
On-board Storage	MicroSD Card Slot, up to 512GB
Advanced	
Video Analytics	Tripwire, Double Tripwire, Perimeter, Object Abandon, Object Lost, Loitering, Running, Parking, Crowded, People Counting, On Duty Detection, Video Abnormal, Audio Abnormal, Heatmap, Face Capture (Face Detection), Safety Helmet Detection, Human/Vehicle Classification* *Support detection and classification of specific target types (people or vehicle) to remove false alarm caused by animals, leaves etc.
Advanced Analytics	(optional upon request) Fire Detection or Smoke Detection
Intelligent Platform	(optional upon request) Simplify Unified Intelligent Platform Integration, Radar Tracking Integration

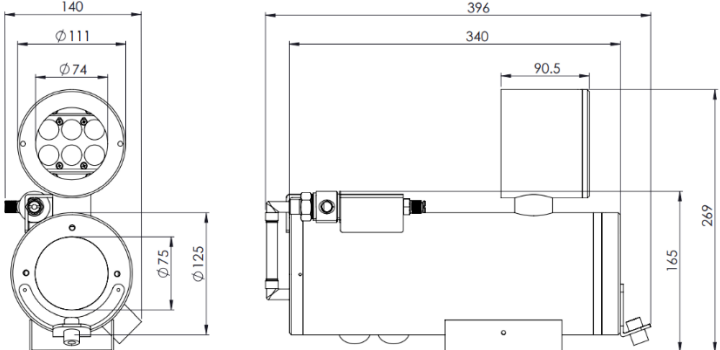
*Analog camera and other camera module options are available upon request.

*Thermal camera options are available for G model. Please contact us for the details

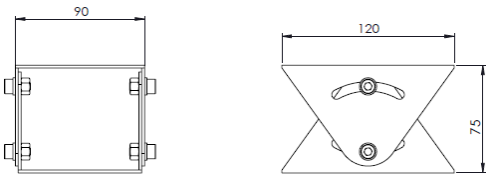
Outline Dimensions (mm)



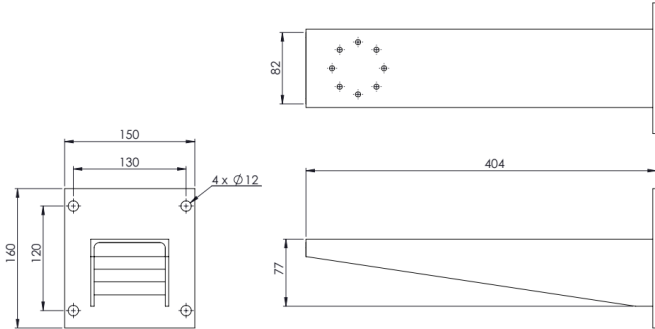
SS1CH-AC Outline Dimensions



SS1CH-AC-LED Outline Dimensions



SJ-SS1CH - Swivel Joints Outline Dimensions



WB-SS1CH - Wall Bracket Outline Dimensions

SS1CH - AC - X - 5x5M

Camera Station Options

Blank : Standard Air-Cooled Camera Housing
LED : With LED Illuminator

Standard Accessories

SJ-SS1CH : Swivel Joints

Optional Accessories

WB-SS1CH : Wall Bracket
AFR : Air Filter Regulator