

SX1LED Series

Explosion Proof Small Camera Housing



Main Features



Marine grade
AISI316L Stainless
Steel material



Ex II 2 G Ex db op pr IIC T6 Gb
/ Ex II 2 D Ex tb op pr IIIC
T80°C Db



IP 66 / 68



Operating
Temperature -40°C to
60°C



Possible to integrate
with different type of
3rd party camera
module



Vandal-proof IK10
ratings

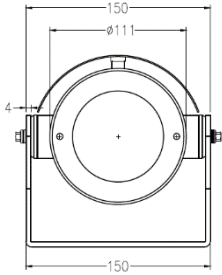
Technical Data

| General | |
|--|---|
| Certification | Ex II 2 G Ex db op pr IIC T6 Gb / Ex II 2 D Ex tb op pr IIIC T80°C Db |
| Impact Protection | IK10 |
| Ingress Protection | IP 66 / 68 |
| Operating Temperature | -40°C to 60°C |
| Relative Humidity | ≤95% |
| IR Illumination | Up to 30 meters |
| Mechanical | |
| Body Material | AISI316L Stainless Steel |
| Sight Glass Material | Window with hardened mineral clear tempered glass |
| Overall Dimension (WxHxD) | <i>Please refer to overall dimension drawings below</i> |
| Internal Usable Size for Camera Module | Ø80 x 50mm |
| Cable Entry | 1 x M25 |
| Weight | Approximate 5KG |
| Angle Adjustment | Pan: 0° to 360°, Tilt Downwards: 0° to 90° |
| Electrical | |
| Operating Voltage | DC12V ± 25% / POE |
| Power Consumption | Max 6W (12V), Max 8W (PoE) |
| Accessories | |
| Standard | Sunshield |
| Optional | Wall Bracket |

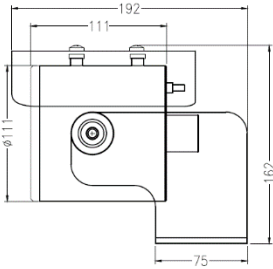
IP Camera/Lens

| | 8MP, IP | 5MP, IP | 2MP, IP |
|----------------------------------|--|---|--|
| Camera | | | |
| Sensor | 1/2.8" CMOS | | |
| Focal Length | 2.8mm / 4.0mm | 4.0mm | 2.8mm |
| Focus | F1.6 | | |
| Horizontal Angle of View | 97.8° (2.8mm) / 87.8° (4.0mm) | 77.9° | 92° |
| Illumination Requirement | Color: 0.002Lux B/W: 0Lux with IR | | |
| Day/Night | Dual IR Cut Filter with Auto Switch | | |
| Effective Pixels (HxV) | 3840x2160 | 2592 ×1944 | 1920 x 1080 |
| Main Stream | PAL: 20fps (3840x2160, 3072x2048), 25fps (2560x1440, 2304x1296, 1920x1080 1280x720) | PAL: 25fps (2592×1944, 2592x1520, 2560×1440, 2304×1296), 50fps (1920×1080, 1280×720) | PAL: 25fps (1920×1080, 1280×720, 704×576, 640×480) |
| | NTSC: 20fps (3840x2160, 3072x2048), 30fps (2560x1440, 2304x1296, 1920x1080, 1280x720) | NTSC: 30fps (2592×1944, 2592x1520, 2560×1440, 2304×1296), 60fps (1920×1080, 1280×720) | NTSC: 30fps (1920×1080,1280×720, 704×480, 640×480) |
| Sub Stream | PAL: 25fps (704x576, 704x288 352x288, 640x360) | PAL: 25fps (704×576, 704×288, 640×480, 352×288) | PAL: 25fps (704×576, 704×288, 640×480, 352×288) |
| | NTSC: 30fps (704x480, 704x240, 352x240, 640x360) | NTSC: 30fps (704×480, 704×240, 640×480, 352×240) | NTSC: 30fps (704×480, 704×240, 640×480, 352×240) |
| Third Stream | PAL: 25fps (704x576, 704x288, 352x288, 640x480) | PAL: 25fps (1920×1080, 1280×720, 704×576, 704×288, 640x480, 352x288) | PAL: 25fps (704×576, 704×288, 352×288) |
| | NTSC: 30fps (704x480, 704x240, 352x240, 640x480) | NTSC: 30fps (1920×1080, 1280×720, 704×480, 704×240, 640x480, 352x240) | NTSC: 30fps (704×480, 704×240, 352×240) |
| On-board Storage | Built-in Micro-SD card slot, up to 512 GB | | |
| Network | | | |
| Protocols | HTTP, HTTPS, TCP/IP, UDP, UPnP, ICMP, IGMP, SNMP, DHCP, DNS, DDNS, Easy DDNS, NTP, SSL, 802.1X, QoS, IPV4, IPV6, PPPoE, SSH, Unicast, Multicast, RTCP, ARP | | |
| System Compatibility | ONVIF (PROFILE S/T/G), P2P | | |
| Mobile Viewer Apps | Android and iOS | | |
| Feature | | | |
| Supported Video Analytics Events | Tripwire, Perimeter | Tripwire, Double Tripwire, Perimeter, Object Abandon, Object Lost, Loitering, Running, Parking, Crowd, People Counting, On Duty Detection, Video Abnormal, Heatmap, Safety Helmet Detection | Tripwire, Perimeter |
| | Support detection and classification of specific target types (people or vehicle) to remove false alarm caused by animals, leaves etc | | |

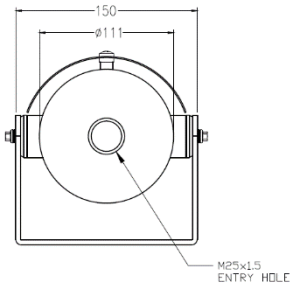
Outline Dimensions (mm)



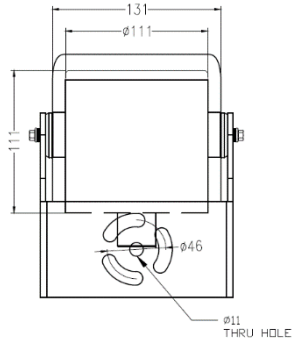
SX1LED Front Dimensions



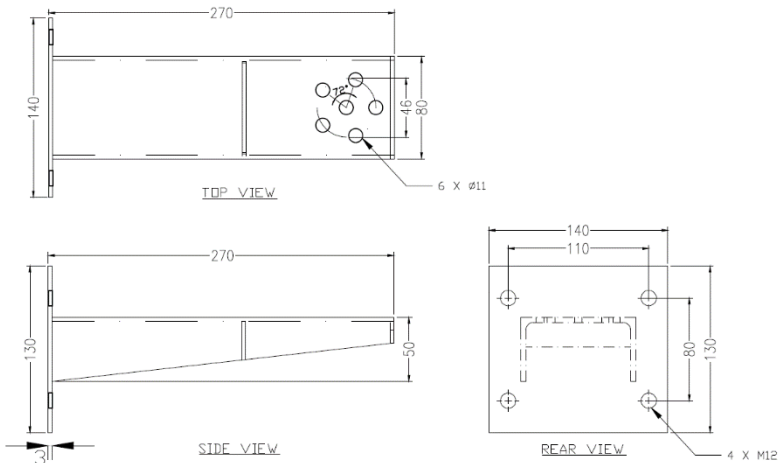
SX1LED Side Dimensions



SX1LED Rear Dimensions



SX1LED Bottom Dimensions



WB-SX1LED Dimensions

SX1LED - X



Camera Module Options

8M (2.8) : 8MP (2.8mm), IP Camera

8M (4) : 8MP (4.0mm), IP Camera

5M : 5MP, IP Camera

2M : 2MP, IP Camera

Standard Accessories

SCH-SX1LED : Sunshield for Small Camera Housing

Optional Accessories

WB-SX1LED : Wall Bracket for Small Camera Housing