

## AF1V3-33x3M Series

### Aluminum Fixed Camera Housing

Integrated with 3MP 33x Optical Zoom Ventionex VX1 Sony Sensor Camera Module



AF1V3



AF1V3-W



AF1V3-LED48



AF1V3-LED48-W

### Main Features



Aluminum cast casing material



Options for Wiper Mechanism Available



IP 66



Vandal-proof IK10 ratings



Operating Temperature -20°C to 65°C



3MP Resolution  
33x optical zoom lens



Motorized 4.6 - 152mm



Options for LED illuminator available

## Technical Data

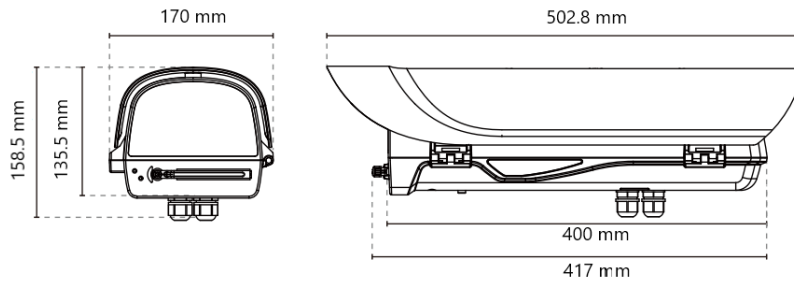
General	
Ingress Protection	IP66
Operating Temperature	-20°C to 65°C
Mechanical	
Body Material	Cast Aluminum
Sight Glass Material	Window with hardened mineral clear glass
Overall Dimension (WxHxD)	<i>Please refer to dimension drawings</i>
Internal Usable Size for Camera Module	105 x 77.4 x 255 mm
Cable Entry	4 x M16
Weight	2.9 KG
Electrical	
Operating Voltage	24VAC
Power Consumption	Window Heater: 10W Fan: 2W Camera: 6 ~ 8W Wiper: 6 W
Thermostatically Controlled Heater	T°C on: <20°C, T°C off: >30°C
Thermostatically Controlled Fan	T°C on: >35°C, T°C off: <25°C
Optional	
Wiper Mechanism	Available for AF1V3-W model
LED Illumination	Available for AF1V3-LED model
LED Illumination	
LED12	12W Snap-in 850nm IR LED illuminator Vari angle: 10° ~ 40° IR LED distance: 50 ~ 140 meter
LED48	48W Snap-in 850nm IR LED illuminator Vari angle: 10° ~ 30° IR LED distance: 150 ~ 350 meter
Accessories	
Standard	Sunshield, Wall Bracket
Optional	Pole Mount Bracket, Corner Mount Bracket

## IP Camera/Lens

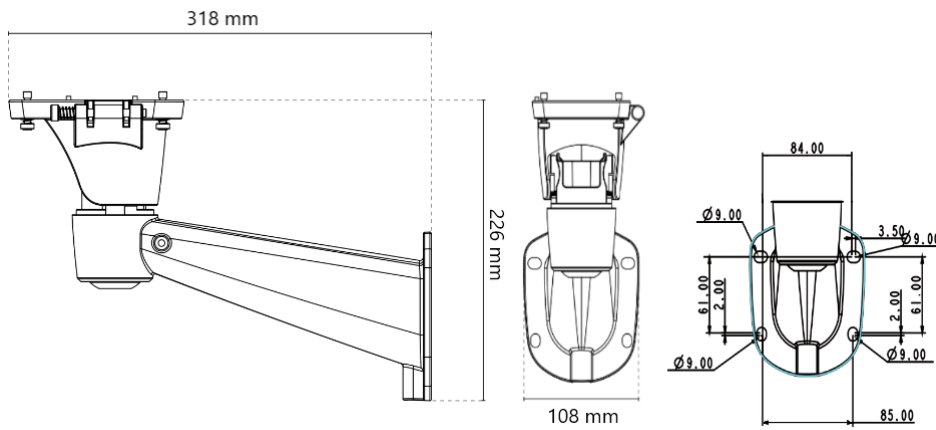
Camera	
Day/Night	Automatically removable IR-cut filter
Shutter Time	1~1/10K s
Noise Reduction	2DNR, 3DNR, NR by motion
Image Settings	Color, Brightness, Sharpness, Contrast, White Balance, Exposure Control, Masking, Text Overlay
Corridor Mode	Corridor Mode 90°, 180°, 270° rotation
Image	
Image Sensor	1/2.8" Progressive CMOS
Effective Pixels	HxV = 2065x1553 (3MP)
Pixel Size	2.5 μm
Lens	f =4.6 mm (wide) to 152.0 mm (tele), F1.6
FOV	Horizontal: 55° (wide), 2° (tele)      Vertical: 43° (wide), 1.0° (tele)
Zoom	33x Optical Zoom, Up to 10x Digital Zoom
Min. Illumination	Color: 0.04Lux      B/W: 0.002Lux
Frame Rate (Maximum)	H265: HDR 3M @30fps + 720p @30fps
	H264: HDR 3M @30fps + 720p @30fps
	MJPEG: 1080p @30fps
Compression Standard	
Video Compression	H.265/H.264/MJPEG
Video Streaming	Up to 4 individually configurable streams in H.265/ H.264/ MJPEG Configurable resolution/ frame rate/ bandwidth LBR/ VBR/ CBR in H.265/ H.264
Network	
Security	User Authentication/ HTTPS/ IP Filter/ IEEE 802.1x
Supported Protocols	ARP, PPPoE, IPv4/v6, ICMP, IGMP, QoS, TCP, UDP, DHCP, UPnP, SNMP, SMTP, RTP, RTSP, HTTP, HTTPS, FTP, NTP, DDNS
ONVIF	Profile S/ G/ Q/ T conformant
System Integration	
Analytics	Motion Detection/ Tampering
General	
Storage	Support for microSD/ microSDHC/ microSDXC card Support for recording to NAS

\*Other camera module options are available upon request.

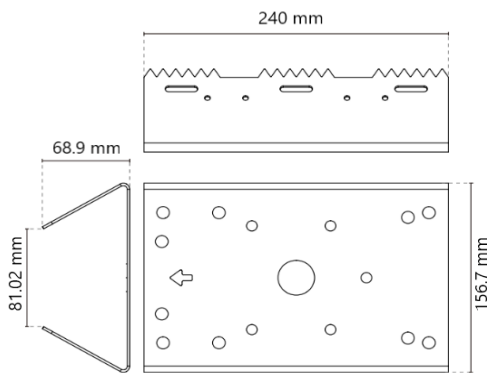
## Outline Dimensions (mm)



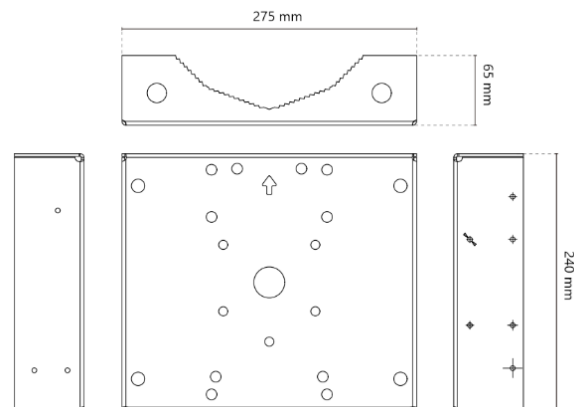
AF1V3-W Outline Dimensions



WB-AF1V3 Outline Dimensions

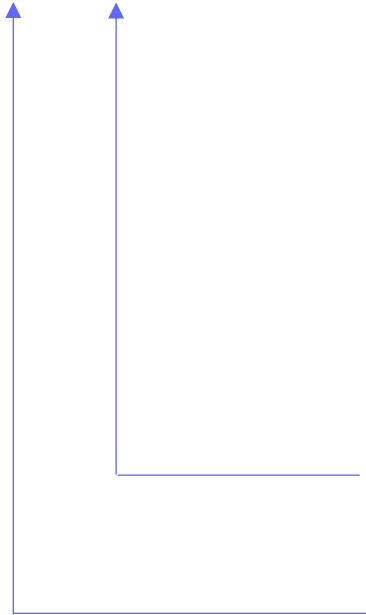


PM-AF1V3 Outline Dimensions



PME-AF1V3 Outline Dimensions

AF1V3 - X - X - 33x3M



Wiper Mechanism Options

- Blank : No additional option
- W : Fitted with wiper mechanism

LED Illumination Options

- Blank : No additional option
- LED12 : 12W LED Illuminator
- LED48 : 48W LED Illuminator

## Standard Accessories

- SCH-AF1V3 : Sunshield for Camera Housing
- WB-AF1V3 : Wall Bracket

## Optional Accessories

- PM-AF1V3 : Pole Mount Bracket
- PME-AF1V3 : Pole Mount Extend Bracket (for 100~230cm pole diameter)