

SS1PTZ-AVI Series

Stainless Steel Weatherproof PTZ Camera Station

Integrated with Avigilon Camera Module



SS1PTZ-W



SS1PTZ-LEDW

Main Features



Marine grade
AISI316L Stainless
Steel material



IP 66 / 68



Vandal-proof IK10
ratings



Operating
Temperature -40°C to
60°C



Option for IEEE
802.3bt PoE++
(90Watt)



Next-Generation
Video Analytics



Multiple lens options
available



Options for LED
illuminator available

Technical Data

General	
Protection Level	IP 66 / 68, TVS 6000V Lightning Protection, Surge Protection and Voltage Transient Protection
Operating Temperature	-40°C to 60°C
Relative Humidity	≤95%
Mechanical	
Body Material	Stainless steel 316L material
Sight Glass Material	Window with hardened mineral clear tempered glass
	Window with Germanium glass (for SS1PTZ-G and SS1PTZ -GL model)
Pan & Tilt Speed	Variable speed option: 0.1°/s to 45°/s
Pan & Tilt Movement	Pan: 360° continuously Tilt: -90° ~ +90°
Overall Dimension (WxHxD)	<i>Please refer to overall dimension drawings of each model.</i>
Internal Usable Size for Camera Module	Ø80 x 155 mm
Cable Entries	1 x M25 (optional additional cable entry upon request)
Weight	Approximate 38KG
Electrical	
Operating Voltage	AC110-240V (0.5A - 1.10A), 50/60Hz Optional: IEEE 802.3bt PoE++(90W)
Power Consumption	Max 110W (110V), Max 120W (240V)
Thermostatically Controlled Heater	T°C on: <10°C, T°C off: >10°C
Optional	
LED Illumination	Up to 200 meters (for SS1PTZ-LEDW model)
Accessories	
Standard	Sunshield for Camera Housing
Optional	Wall Bracket, Sunshield for Pan & Tilt Body

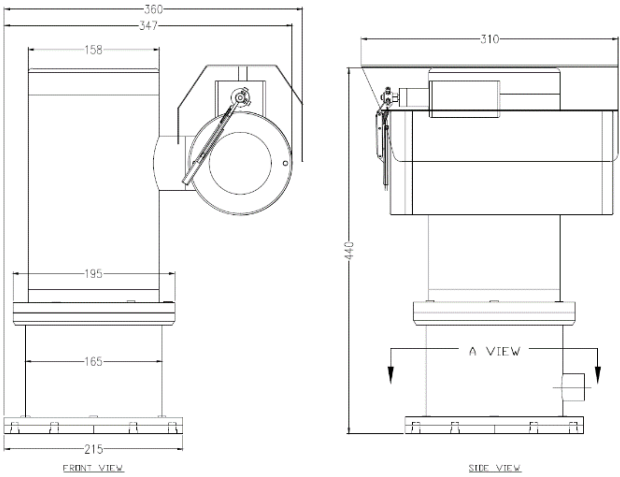
IP Camera/Lens

	Self-learning Video Analytics Range					
	2MP, 18x Zoom, IP	2MP, IP	4MP (9), IP	4MP (22), IP	6MP, IP	8MP [4K], IP
Sensor	1/2.8"				1/1.8"	
Focal Length (mm)	4.7 – 84.6	3.3 – 9	3.3 – 9	9 – 22	4.9 – 8	4.9 – 8
Focus	F1.6	F1.3	F1.3	F1.6	F1.8	
Effective Pixels (HxV)	(16:9) 1920 x 1080		(16:9) 2560 x 1440 (4:3) 2304 x 1728		(16:9) 3200 x 1800 (3:2) 3027 x 2048	(16:9) 3840 x 2160
Horizontal Angle of View	(16:9) 4.1° – 60°	(16:9) 34° – 99°	(16:9) (4:3) 34° – 92°	(16:9) 14° – 31° (4:3) 11° – 24°	(16:9) 52° – 92° (3:2) 41° – 73°	(16:9) 52° – 92°
Max Image Rate	(50 Hz/60 Hz): 25 fps/30 fps		WDR off (50 Hz/60 Hz): 25 fps/30 fps WDR on (50 Hz/60 Hz): 20 fps/20 fps		(50 Hz/60 Hz): 25 fps/30 fps	
Day/Night Control	Automatic, Manual					
Illumination Requirement	Color: 0.039Lux B/W: 0.02Lux	Color: 0.027Lux B/W: 0.014Lux	Color: 0.03Lux B/W: 0.015Lux	Color: 0.058Lux B/W: 0.029Lux	Color: 0.055Lux B/W: 0.028Lux	
Image Compression Method	H.264 HDSM SmartCodec, H.265 HDSM SmartCodec, Motion JPEG					
Protocols	IPv6, IPv4, HTTP, HTTPS, SOAP, DNS, NTP, RTSP, RTCP, RTP, TCP, UDP, IGMP, ICMP, DHCP, Zeroconf, ARP					
Supported Video Analytics Events	Objects in Area, Loitering, Crossing Beam, Object Appears or Enters Area, Object Not Present in Area, Objects Enter Area, Objects Leave Area, Object Stops in Area, Direction Violated, Tamper Detection					

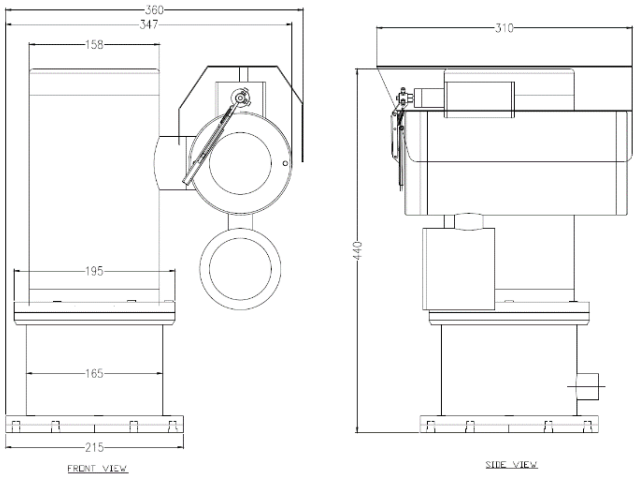
*Analog camera and other camera module options are available upon request.

*Thermal camera options are available for G model. Please contact us for the details

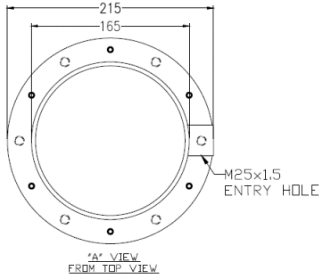
Outline Dimensions (mm)



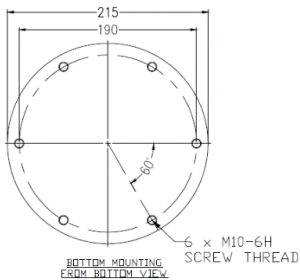
SS1PTZ-W Outline Dimensions



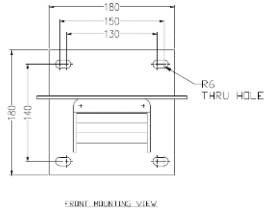
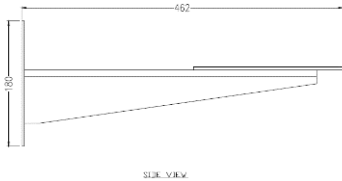
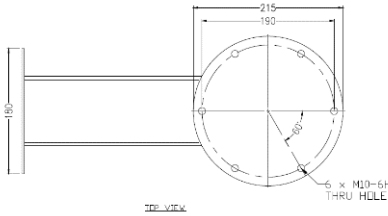
SS1PTZ-LEDW Outline Dimensions



Base View from Top



Base View from Bottom for Mounting



WB-SS1PTZ - Wall Bracket Outline Dimensions

Model & Ordering Code

SS1PTZ - X - AVI - X - X

POE Options

Blank : No additional option

POE : POE++

Camera Module Options

18x2M : 2MP, 18x Zoom, IP with Self-learning Video Analytics

2M : 2MP, IP with Self-learning Video Analytics

4M (9) : 4MP (3.3-9mm), IP with Self-learning Video Analytics

4M (22) : 4MP (9-22mm), IP with Self-learning Video Analytics

6M : 6MP, IP with Self-learning Video Analytics

8M : 8MP, IP with Self-learning Video Analytics

Camera Station Options

W : Fitted with wiper mechanism

LEDW : With LED Illuminator and Wiper

Standard Accessories

SCH-SS1PTZ : Sunshield for Camera Housing

Optional Accessories

WB-SS1PTZ : Wall Bracket

SPT-SS1PTZ : Sunshield for Pan & Tilt Body