

SX1PTZ-AX21x2M Series

Explosion Proof PTZ Camera Station

Integrated with 2MP 21x optical zoom AXIS Zoom Block Camera



SX1PTZ-W



SX1PTZ-LEDW

Main Features



Marine grade
AISI316L Stainless
Steel material



Ex II 2 G Ex db op pr
IIC T6 Gb / Ex II 2 D Ex
tb op pr IIC T80°C Db



IP 66 / 68



Option for LED
illuminator available



(Optional) IEEE
802.3bt PoE++
(90Watt)



2MP resolution
21x optical zoom lens



AI-based object
detection and
classification



(Optional) Simplify
Unified Intelligent
Platform & Radar
Tracking Integration

Technical Data

General	
Certification	Ex II 2 G Ex db op pr IIC T6 Gb / Ex II 2 D Ex tb op pr IIIC T80°C Db
Protection Level	IP 66 / 68, TVS 6000V Lightning Protection, Surge Protection and Voltage Transient Protection
Operating Temperature	-40°C to 60°C
Relative Humidity	≤95%
Mechanical	
Body Material	Stainless steel 316L material
Sight Glass Material	Window with hardened mineral clear tempered glass
	Window with Germanium glass (for SX1PTZ-G and SX1PTZ-GL model)
Pan & Tilt Speed	Variable speed option: 0.1°/s to 45°/s
Pan & Tilt Movement	Pan: 360° continuously Tilt: -90° ~ +90°
Overall Dimension (WxHxD)	<i>Please refer to overall dimension drawings of each model.</i>
Weight	Approximate 38KG
Internal Usable Size for Camera Module	Ø80 x 155 mm
Wiper Mechanism	Available for SX1PTZ-W and SX1PTZ-LEDW model
Cable Entries	1 x M25 (optional additional cable entry upon request)
Electrical	
Operating Voltage	AC110-240V (0.5A - 1.10A), 50/60Hz Optional: IEEE 802.3bt PoE++(90W)
Power Consumption	Max 110W (110V), Max 120W (240V)
Thermostatically Controlled Heater	T°C on: <10°C, T°C off: >10°C
Optional	
LED Illumination	Up to 200 meters (for SX1PTZ-LEDW model)
Built in Fiber Optic Module	Single Mode or Multi Mode (-SM or -MM model, please refer to below ordering info)
Accessories	
Standard	Sunshield for Camera Housing
Optional	Wall Bracket, Sunshield for Pan & Tilt Body

IP Camera/Lens

Camera	
Image Sensor	1/2.8" Progressive Scan RGB CMOS
Lens	Varifocal, 4-84.6 mm, F1.6-F4.5 Horizontal field of view: 76°-3.6° Vertical field of view: 42°-2.2° Autofocus, P-Iris control
Day / Night	Automatically removable IR-cut filter
Minimum Illumination	1080p 25/30 fps with Forensic WDR and Lightfinder 2.0: Color: 0.1 lux at 50 IRE F1.5; B/W: 0.02 lux at 50 IRE F1.5 1080p 50/60 fps with Forensic WDR and Lightfinder 2.0: Color: 0.2 lux at 50 IRE F1.5; B/W: 0.04 lux at 50 IRE F1.5 1080p 100/120 fps without WDR: Color: 0.4 lux at 50 IRE F1.6; B/W: 0.08 lux at 50 IE F1.6
Shutter Speed	1/66500 s to 2 s
Pan/Tilt/Zoom	Zoom: 21x optical; Up to 100 preset positions, control queue, adjustable zoom speed
Video	
Video Compression	H.264 (MPEG-4 Part 10/AVC) Baseline, Main and High Profiles; H.265 (MPEG-H Part 2/HEVC) Main Profile; Motion JPEG
Resolution	1920x1080 HDTV 1080p to 160x90
Frame rate	With WDR: Up to 50/60 fps (50/60 Hz) in all resolutions No WDR: Up to 100/120 fps in all resolutions
Video Streaming	Multiple, individually configurable streams in H.264, H.265 and Motion JPEG; Axis Zipstream technology in H.264 and H.265; Controllable frame rate and bandwidth; VBR/ABR/MBR H.264/H.265; Low latency mode; Video streaming indicator
Image Settings	Saturation, contrast, brightness, sharpness, Forensic WDR: up to 120 dB depending on scene, white balance, day/night threshold, tone mapping, local contrast, EIS, exposure mode, exposure zones, defogging, compression, rotation: auto, 0°, 90°, 180°, 270° including Corridor Format, dynamic text and image overlays, polygon privacy mask, mirroring of images; Scene profiles: forensic, vivid, traffic overview
Network	
Network Protocols	IPv4, IPv6 USGv6, ICMPv4/ICMPv6, HTTP, HTTPS, HTTP/2, TLS, QoS Layer 3 DiffServ, FTP, SFTP, CIFS/SMB, SMTP, mDNS (Bonjour), UPnP®, SNMP v1/v2c/v3 (MIB-II), DNS/DNSv6, DDNS, NTP, NTS, RTSP, RTP, SRTP/RTSPS, TCP, UDP, IGMPv1/v2/v3, RTCP, DHCPv4/v6, SSH, SIP, LLDP, CDP, MQTT v3.1.1, Secure syslog (RFC 3164/5424, UDP/TCP/TLS), Link-Local address (ZeroConf)
Network Security	IEEE 802.1X (EAP-TLS, PEAP-MSCHAPv2), IEEE 802.1AE (MACsec PSK/EAP-TLS), IEEE 802.1AR, HTTPS/HSTS, TLS v1.2/v1.3, Network Time Security (NTS), X.509 Certificate PKI, host-based firewall

*Analog camera and other camera module options are available upon request.

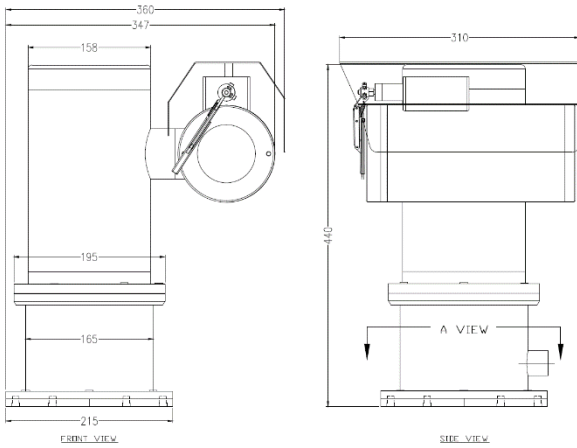
*Thermal camera options are available for G model. Please contact us for the details

System Integration	
Application Program Interface	Open API for software integration, including VAPIX®, metadata, and AXIS Camera Application Platform (ACAP); ONVIF® Profile G, ONVIF® Profile M, ONVIF® Profile S, and ONVIF® Profile T
Event Conditions	<p>Device status: above operating temperature, above or below operating temperature, below operating temperature, IP address removed, network lost, new IP address, ring power overcurrent protection, storage failure, system ready, within operating temperature, shock detection</p> <p>Edge storage: recording ongoing, storage disruption</p> <p>I/O: digital input, manual trigger, virtual input</p> <p>MQTT subscribe</p> <p>PTZ: PTZ malfunctioning, PTZ movement, PTZ preset position reached, PTZ ready</p> <p>Scheduled and recurring: scheduled event</p> <p>Video: average bitrate degradation, day-night mode, live stream open, tampering</p>
Event Actions	<p>Record video: SD card and network share</p> <p>MQTT publish</p> <p>Upload of images or video clips: FTP, SFTP, HTTP, HTTPS, network share and email</p> <p>Pre- and post-alarm video or image buffering for recording or upload</p> <p>Notification: email, HTTP, HTTPS, TCP and SNMP trap</p> <p>PTZ: PTZ preset, start/stop guard tour</p> <p>Overlay text, external output activation, play audio clip, zoom preset, day/night mode, make call</p>
Data Streaming	Event data
Built-in Installation Aids	Leveling guide, pixel counter, license plate capture assistant
Intelligent Platform	(optional upon request) Simplify Unified Intelligent Platform Integration, Radar Tracking Integration
Analytics	
Application	<p>Included: AXIS Object Analytics, Scene metadata; AXIS Video Motion Detection</p> <p>Supported: AXIS Audio Spectrum Visualizer; Support for AXIS Camera Application Platform enabling installation of third-party applications</p>
AXIS Object Analytics	<p>Object classes: humans, vehicles (types: cars, buses, trucks, bikes)</p> <p>Scenarios: line crossing, object in area, crossline counting, time in area</p> <p>Up to 10 scenarios</p> <p>Other features: triggered objects visualized with trajectories, color-coded bounding boxes and tables; Polygon include/exclude areas; Perspective configuration; ONVIF Motion Alarm event</p>
Scene metadata	<p>Object data:</p> <p>Classes: humans, faces, vehicles (types: cars, buses, trucks, bikes), license plates</p> <p>Confidence, position</p>
General	
Storage	Support for microSD/microSDHC/microSDXC card; Support for SD card encryption (AES-XTS-Plain64 256bit); Recording to network-attached storage (NAS)
Languages	English, German, French, Spanish, Italian, Russian, Simplified Chinese, Japanese, Korean, Portuguese, Polish, Traditional Chinese, Dutch, Czech, Swedish, Finnish, Turkish, Thai, Vietnamese

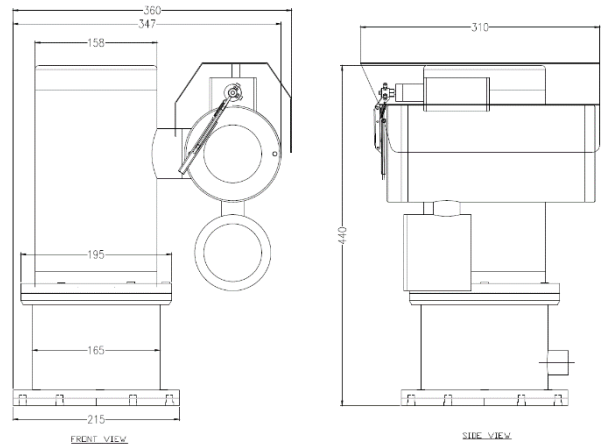
*Analog camera and other camera module options are available upon request.

*Thermal camera options are available for G model. Please contact us for the details

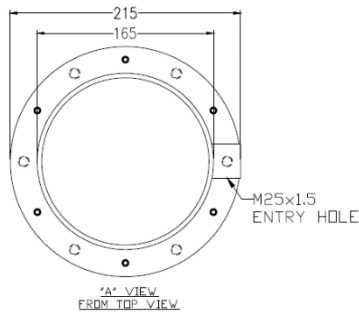
Outline Dimensions (mm)



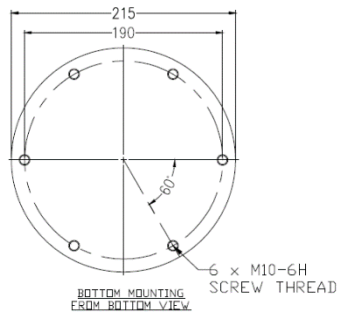
SX1PTZ-W Outline Dimensions



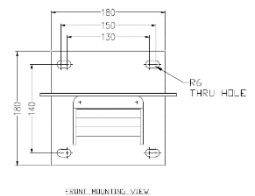
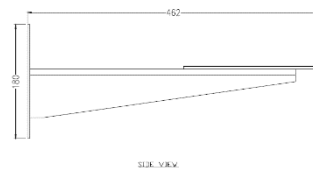
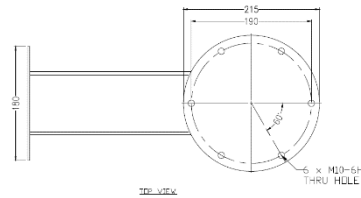
SX1PTZ-LEDW Outline Dimensions



Base View from Top



Base View from Bottom for Mounting



WB-SX1PTZ - Wall Bracket Outline Dimensions

SX1PTZ - X - AX21x2M - X - X

POE Options

Blank : No additional option

POE : POE++

Built-in Fiber Optic Module Options

SM : Single Mode

MM : Multi Mode

Camera Station Options

W : Fitted with wiper mechanism

LEDW : With LED Illuminator and Wiper

Standard Accessories

SCH-SX1PTZ : Sunshield for Camera Housing

Optional Accessories

WB-SX1PTZ : Wall Bracket

SPT-SX1PTZ : Sunshield for Pan & Tilt Body