

SX1PTZ-37x4M Series

Explosion Proof PTZ Camera Station

Integrated with 4MP 37x Optical Zoom Sony Sensor Camera Module with optional built-in edge analytics



SX1PTZ-W



SX1PTZ-LEDW

Main Features



Marine grade
AISI316L Stainless
Steel material



Ex II 2 G Ex db op pr
IIC T6 Gb / Ex II 2 D Ex
tb op pr IIC T80°C Db,
IP 66 / 68



4MP resolution
37x optical zoom lens



(Optional) Wi-Fi 2.4
GHz and 5 GHz



(Optional) IEEE
802.3bt PoE++
(90Watt)



(Optional) Advanced
Analytics Fire or
Smoke Detection



(Optional) Intelligent
Video Analytics for
Human, Vehicle &
Object Detection



(Optional) Simplify
Unified Intelligent
Platform & Radar
Tracking Integration

Technical Data

General	
Certification	Ex II 2 G Ex db op pr IIC T6 Gb / Ex II 2 D Ex tb op pr IIIC T80°C Db
Protection Level	IP 66 / 68, TVS 6000V Lightning Protection, Surge Protection and Voltage Transient Protection
Operating Temperature	-40°C to 60°C
Relative Humidity	≤95%
Mechanical	
Body Material	Stainless steel 316L material
Sight Glass Material	Window with hardened mineral clear tempered glass
	Window with Germanium glass (for SX1PTZ-G and SX1PTZ-GL model)
Pan & Tilt Speed	Variable speed option: 0.1°/s to 45°/s
Pan & Tilt Movement	Pan: 360° continuously Tilt: -90° ~ +90°
Overall Dimension (WxHxD)	<i>Please refer to overall dimension drawings of each model.</i>
Internal Usable Size for Camera Module	Ø80 x 155 mm
Cable Entries	1 x M25 (optional additional cable entry upon request)
Weight	Approximate 38KG
Electrical	
Operating Voltage	AC110-240V (0.5A - 1.10A), 50/60Hz Optional: IEEE 802.3bt PoE++(90W)
Power Consumption	Max 110W (110V), Max 120W (240V)
Thermostatically Controlled Heater	T°C on: <10°C, T°C off: >10°C
Optional	
LED Illumination	Up to 200 meters (for SX1PTZ-LEDW model)
Built in Fiber Optic Module	Single Mode or Multi Mode or Dual Mode (-SM or -MM or -DM model, please refer to below ordering info)
Wi-Fi	Wi-Fi 2.4 GHz and 5 GHz
Accessories	
Standard	Sunshield for Camera Housing
Optional	Wall Bracket, Sunshield for Pan & Tilt Body

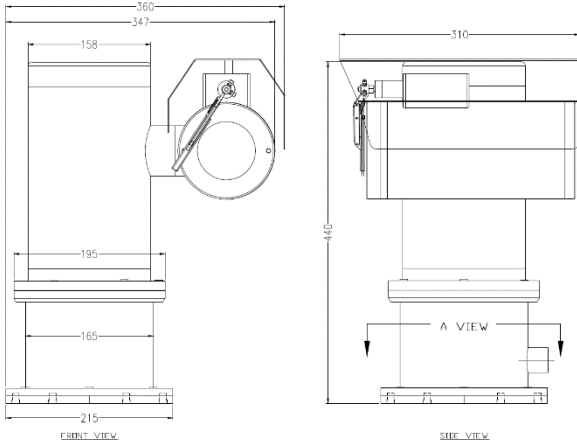
IP Camera/Lens

Sensor	
Image Sensor	1/1.8" Sony Progressive Scan CMOS
Effective Pixels	HxV = 2688x1520 (4.53 MP)
Lens	
Focal Length	6.5 mm (wide) to 240 mm (tele)
Zoom	37x Optical Zoom (with up to 16x Digital Zoom)
Aperture	FNo: 1.5 ~ 4.8
FOV	Horizontal: 61.8° (wide), 1.86° (tele) Vertical: 37.2° (wide), 1.05° (tele)
Close Focus Distance	1m (wide) to 1.5m (tele)
Image	
Day/Night	Auto (ICR) / Manual (Color, B/W)
Image Settings	Saturation, Brightness, Contrast, Sharpness, Gamma, Exposure, WDR, BLC, HLC, White Balance (WB), Defog, Electronical Image Stabilization (EIS)
Exposure Model	Auto/Manual/Aperture Priority/Shutter Priority/Gain Priority
Flip Image	Support
AGC	Support
Noise Reduction	2D / 3D
S/N Ratio	≥ 55dB (AGC Off, Weight ON)
Min. Illumination	Color: 0.01Lux
Video	
Video Compression	H.265/H.264/H.264H/MJPEG
Resolution	Main Stream: 2688x1520@50/60fps; 1080P@25/30fps; 720P@25/30fps
	Sub Stream1: D1@25/30fps; CIF@25/30fps
	Sub Stream2: 1080P@25fps; 720P@25/30fps; D1@25/30fps
Video Streaming	Up to 3 individually configurable streams Configurable resolution/ frame rate/ bandwidth
Video Bit Rate	32kbps ~ 16Mbps
Network	
Supported Protocols	ONVIF, HTTP, RTSP, RTP, TCP, UDP
System Integration	
General Events	Motion Detection/ Tampering / Scene Changing / SD Card / Network / Illegal Access
Intelligent Video Analytics	(optional upon request) Human, Vehicle & Object Detections for Tripwire / Intrusion / Loitering / Abandoned Object / Missing Object / Parking Detection / Crowd Detection
Advanced Analytics	(optional upon request) Fire Detection or Smoke Detection
Intelligent Platform	(optional upon request) Simprify Unified Intelligent Platform Integration, Radar Tracking Integration
General	
Storage	TF card (up to 1TB)

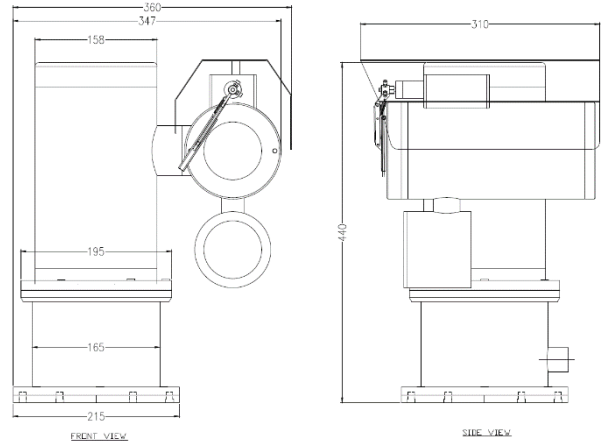
*Analog camera and other camera module options are available upon request.

*Thermal camera options are available for G model. Please contact us for the details

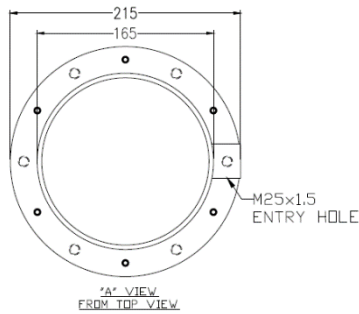
Outline Dimensions (mm)



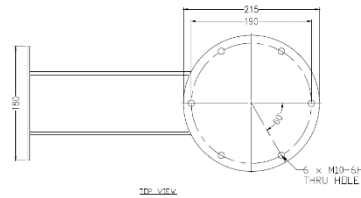
SX1PTZ-W Outline Dimensions



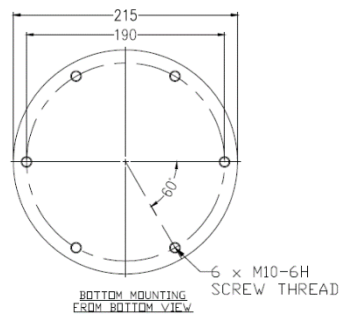
SX1PTZ-LEDW Outline Dimensions



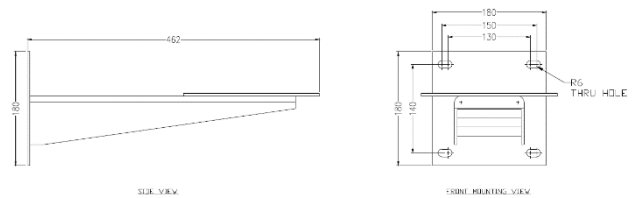
Base View from Top



TOP VIEW



Base View from Bottom for Mounting



WB-SX1PTZ - Wall Bracket Outline Dimensions

Model & Ordering Code

SX1PTZ - X - 37x4M - X - X - X

POE Options

Blank : No additional option
POE : POE++

Built-in Fiber Optic Module Options

SM : Single Mode
MM : Multi Mode
DM : Dual Mode

Wi-Fi Options

Blank : No additional option
Wi-Fi : Wi-Fi 2.4 GHz and 5 GHz

Camera Station Options

W : Fitted with wiper mechanism
LEDW : With LED Illuminator and Wiper

Standard Accessories

SCH-SX1PTZ : Sunshield for Camera Housing

Optional Accessories

WB-SX1PTZ : Wall Bracket
SPT-SX1PTZ : Sunshield for Pan & Tilt Body